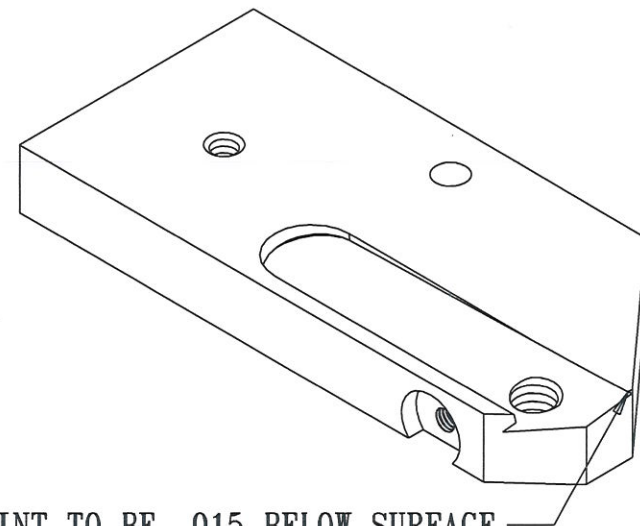
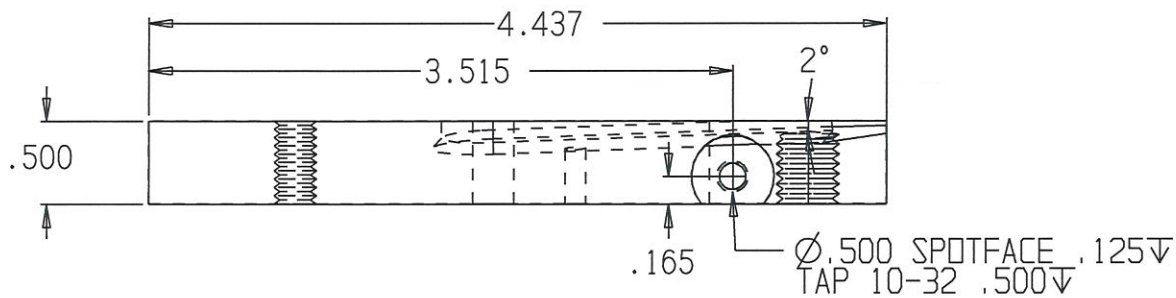
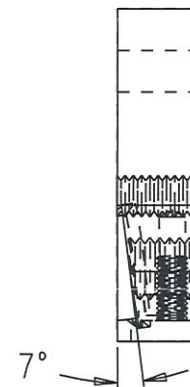
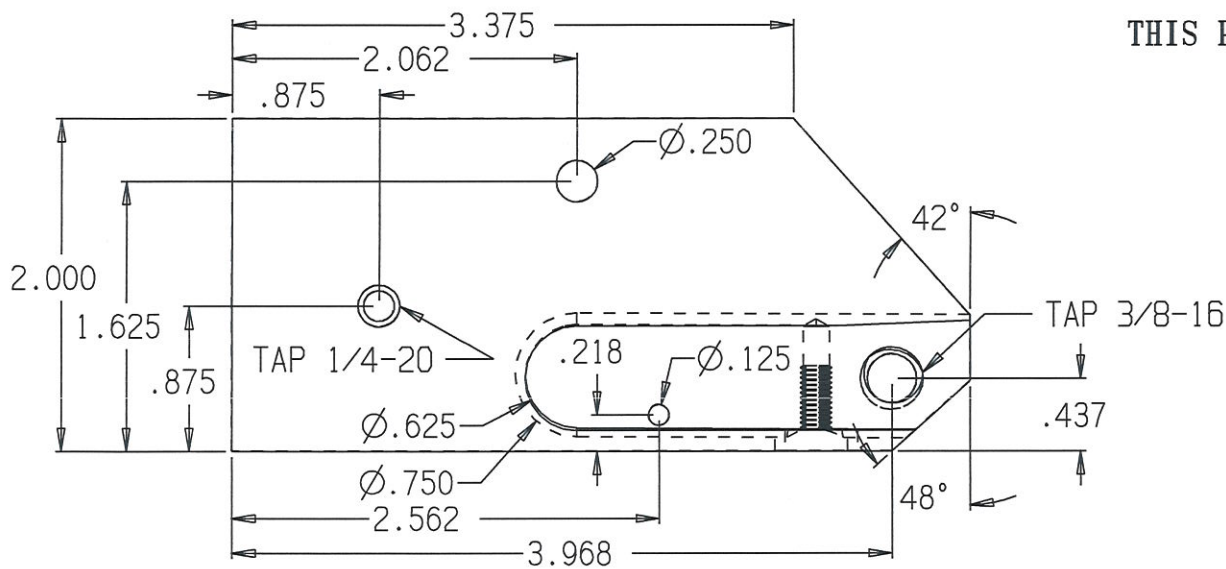


| Rev. | Description | Date | App. By |
|------|-------------|------|---------|
| | | | |



THIS POINT TO BE .015 BELOW SURFACE



ORIGINAL

Tolerances Unless Otherwise Specified

| Basic Dimension | UP TO | 6.001 TO | ABOVE | ±0° ±30' |
|-----------------|-------|----------|--------|----------|
| | 6.000 | 24.000 | 24.000 | |
| 2 Place Dim. | ±.005 | ±.010 | ±.031 | ✓ |
| 3 Place Dim. | ±.002 | ±.005 | ±.010 | |

Finish Specs: VIBRATORY FINISH



4265 N. Main St., Hemlock N.Y. 14466
Ph # 585-367-2392 Fax # 585-367-2978

Material Specs: AMB30 1/2 x 2 ALUM BAR 6061T6

Drawn By: GENE SNYDER

App. By: Ron

Date: 10/02/2012